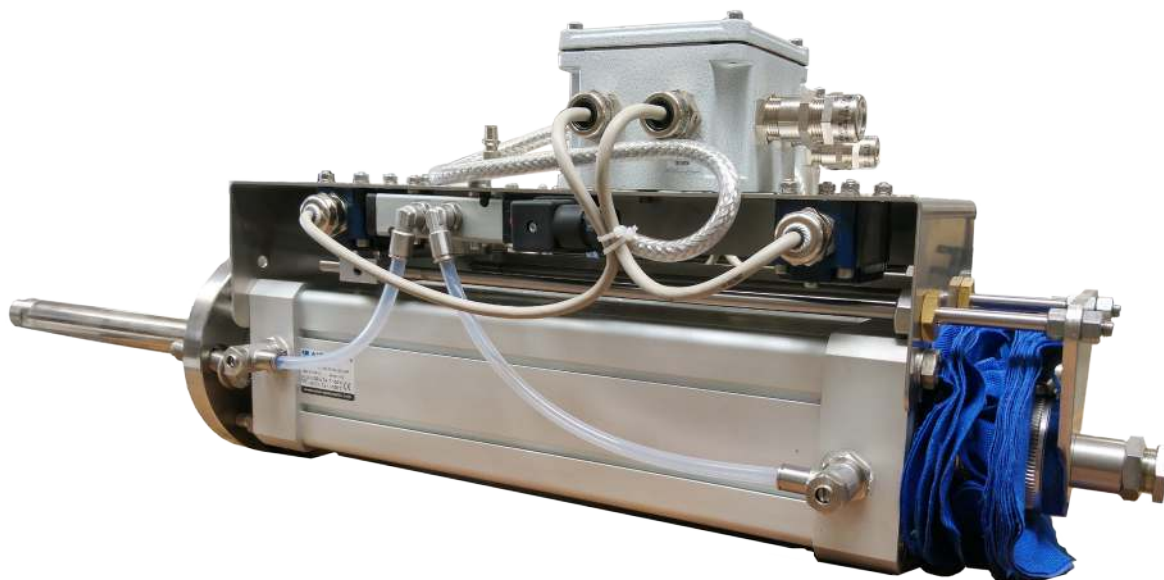
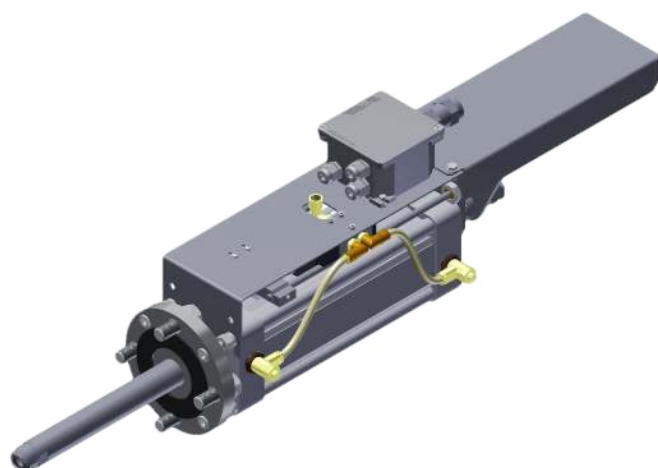


In order to prevent tips from flames and corrosive atmospheres (for example in sulfur burners) Tesi developed a **smart and compact retractable device** that can be easily mounted on standard ignition rods. This device allows retraction of the spark tip in a protected area of the combustion chamber, once sparking is finished. On request, **ATEX executions are available**.

ACTUATOR TYPE	Pneumatic
ACTUATOR MATERIAL	Aluminium Cylinder, SS Rod, Viton Seals (SS cylinder on request)
ACTUATOR STROKE	100 ÷ 500 mm
VALVE TYPE	5-way / Single Coil (or as required)
SOLENOID VOLTAGE	115 VAC, 230 VAC, 24 VDC, 48 VDC
SOLENOID CASING	IP66 - II2GD Ex d IIC for ATEX execution
JUNCTION BOX	Plastic or Aluminium, Factory Wired
JB PROTECTION CLASS	IP 66 / NEMA 4
TEMPERATURE RATING	-5 to 70°C (or as required)
SPEED CONTROL	2 Needle valves
LIMIT SWITCHES	2 Total, inserted / retracted
LIMIT SWITCH CASING	IP66 - II2GD Ex i IIC for ATEX execution

data subject to change without notice



With the aim to meet even the most demanding operational requirements, Tesi developed a **wide range of accessories and configurations**, including:

- insertion switches
- 90° handles
- ball joints
- manual retraction devices
- mounting flanges
- rubber handles and stopping flanges
- positioning sensors
- remote push buttons